

BOOST YOUR BREAKFAST PROGRAM



**\$50.95
MILLION
UNCLAIMED
FUNDING**

* A large urban school district aiming to serve 70 low-income children with breakfast for every 100 low-income children that received lunch would have collected \$50.95 million in additional federal funds, and served an additional 193,785 low-income students.

Economies of scale in food purchases & labor costs



SAVINGS & ADDITIONAL REVENUE

Higher breakfast participation rates =



Federal dollars, and in some cases additional state funding & student payments

Healthier food options, such as fresh fruit instead of juice

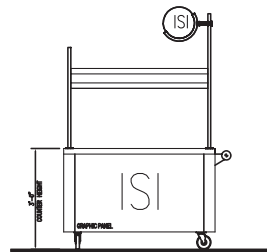


INCREASE PARTICIPATION BY MAKING BREAKFAST CONVENIENT

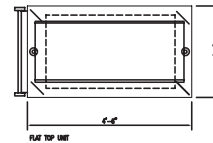
Increase participation by making breakfast convenient and accessible to all, no matter how students arrive at school.



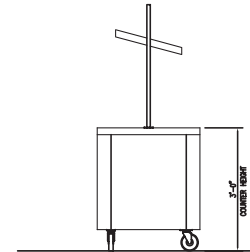
MODU-ISI CART



ELEV. - FRONT OF COUNTER



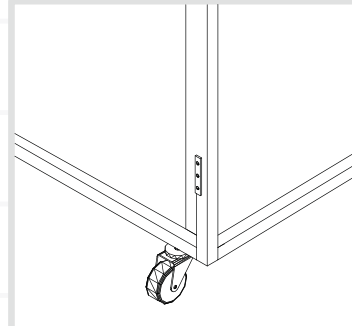
PLAN - SERVING COUNTER



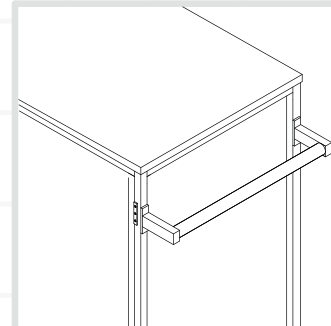
END ELEVATION



BREAKFAST DELIVERY CART



•4" Lockable heavy duty castors provide easy mobility.



•Durable powder coated push handle.

BREAKFAST SERVICE OPTIONS



- Breakfast in the classroom
- 'Grab and Go' breakfast service from carts or kiosks
- Breakfast after first period in middle and high schools

UNCLAIMED FUNDING

\$1.48

in federal nutrition funding for every child who would have received a free breakfast but was not served

\$1.18

for every child who would have received a reduced-price breakfast but was not served

\$0.28

in federal funds per child per meal were forfeited if those low-income children attended a "severe need" school

iSi Interior Systems Incorporated

www.isiamerica.com
800.837.8373